

0.00" 0.25" 0.50" 0.75" 1.00" 1.25" 1.50" 1.75" 2.00"

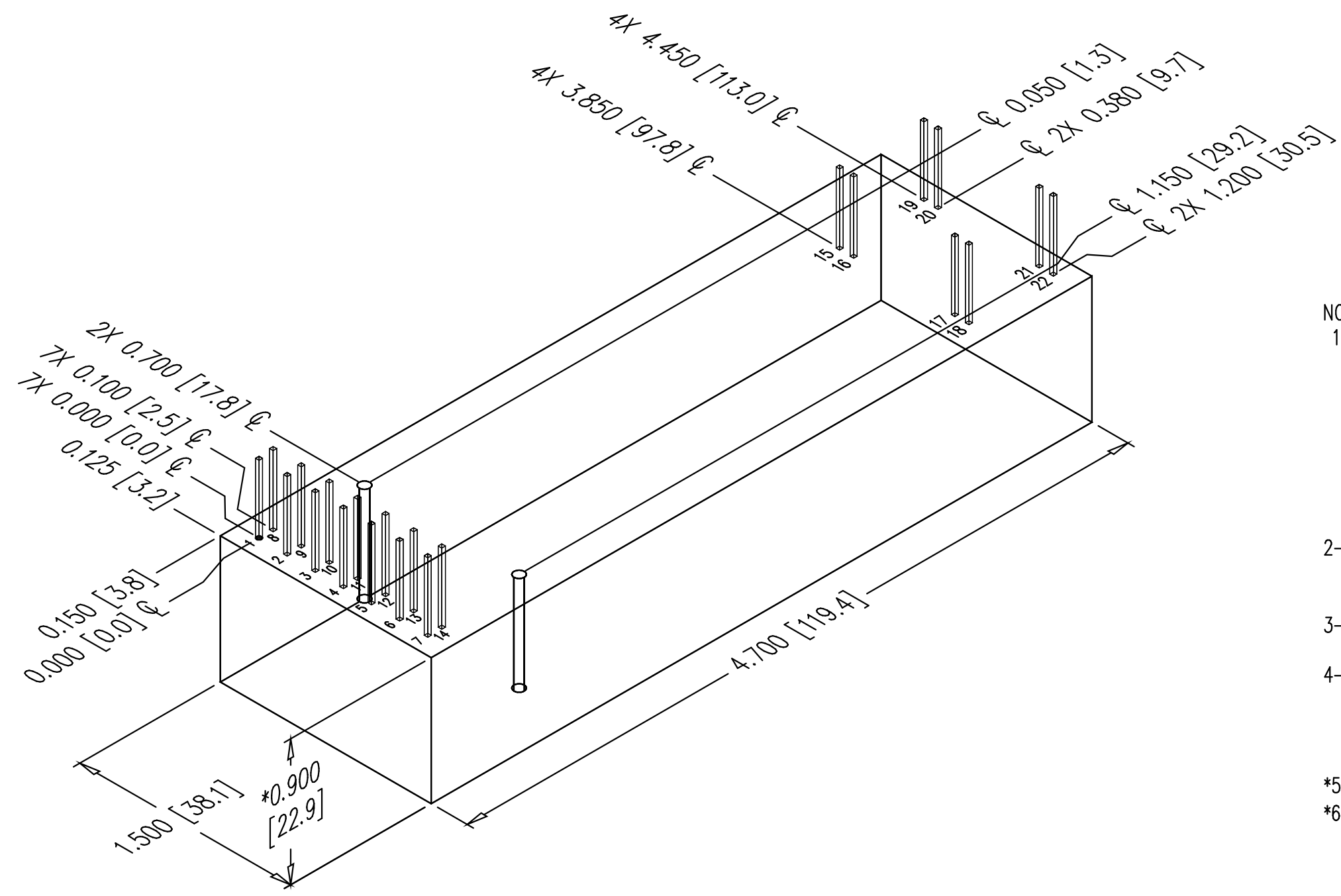
PROPRIETARY STATEMENT: ULTRAVOLT INC.
CONFIDENTIAL DRAWING

B PART NUMBER: OL-532 REV A1 SH 1

REVISIONS				
LTR	DESCRIPTION	BY	DATE	APPD
A	RELEASED TO DOC-DTRL	SRO	7/19/06	JC
A1	REVISED PER EC-00788-UV	SRO	10/29/08	EB

B

A



NOTES:

- 1- PINS:
 - A- MATERIAL: GOLD PLATED 0.025 [0.64] SQ.
 - B- THE CENTER OF THE PINS AND MOUNTING HOLES ARE LOCATED FROM THE CENTER OF PIN 1.
 - C- PINS 1 THRU 14 SPACING 0.100 [2.54] X 0.200 [5.08] ON CENTER, HEIGHT FROM COVER 0.375 [9.5] MIN.
 - D- PINS 15, 16 AND 17, 18 AND 19, 20 AND 21, 22 SPACING 0.100 [2.54] ON CENTER, HEIGHT FROM COVER 0.375 [9.5] MIN.
- 2- MOUNTING:
 - A- 2-56 X 0.30 [7.62] DP UNC-2B THD 2 PLACES
 - B- THREADED POST MAY NOT BE FLUSH TO COVER.
- 3- CONSTRUCTION:
 - EPOXY FILLED DAP BOX CERTIFIED TO ASTM-D-5948
- 4- TOLERANCE:
 - A- OVERALL +/-0.050 [1.27]
 - B- PIN TO PIN +/-0.015 [0.38]
 - C- MOUNTING HOLE LOCATION +/- 0.025 [0.64]
- *5- 20 & 30 WATT VERSIONS ARE AN ADDITIONAL 0.062 [1.57] IN HEIGHT.
- *6- -M EQUIPPED UNITS ARE AN ADDITIONAL 0.030 [0.76] IN HEIGHT.

B

A

UNLESS OTHERWISE SPECIFIED DIMENSION ARE IN INCHES TOLERANCES ARE:			CUSTOMER		
2 PL DEC ± .02	FRACT ± 1/64		DRAWN	S. Orban	DATE
3 PL DEC ± .010	ANGLES ± 2°		CHKD	J. CAMPISI	7/24/06
HOLE DIA	TOLERANCES		MFG	N/A	
.0135 THRU .125	+ .004 - .004		MFG ENGR	N/A	
.126 THRU .250	+ .005 - .005		PROCESS	N/A	
.251 THRU .500	+ .006 - .006		QA	J. MORRISON	8/2/06
.501 THRU .750	+ .008 - .008		CHIEF ENG	P. MATCH	8/2/06
.751 THRU 1.000	+ .010 - .010		CFN: OL-532_revA1_FIL-5V-3A.dwg		
1.001 THRU 2.000	+ .012 - .012				
DASH NUMBER	NEXT ASSY	USED ON			
APPLICATION					

ULTRAVOLT, INC.
1800 OCEAN AVE. FRNT, RONKONKOMA, N.Y. 11779
1-631-471-4444

OUTLINE
FIL-5V-3A

B	PART NUMBER:	OL-532	REV	A1
	SCALE	NONE	DO NOT SCALE THIS DRAWING	SHEET 1 OF 1

2

1