	<h1>Technical Bulletin</h1>	Document SKB 0038	Page 1 / 1
	Digital Interface : Ethernet	Rev. date 30-Oct-06	Rev. A 02

Product: Power Generators based on C3 (after Sept. 2002)
Subject: Description of Ethernet – Interface

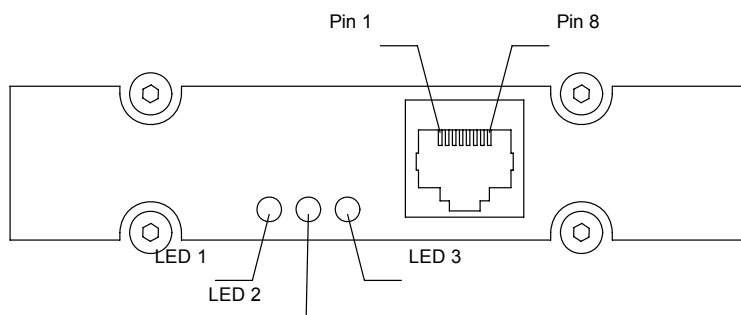


Figure 1: Ethernet Connector Panel

Table 1: Ethernet Pin Description

Signal/ Pin	Name	Description
1	TX+	Transmit data: positiv
2	TX-	Transmit data: negativ
3	RX+	Receive data: positiv
4	N.C.	Not connected
5	N.C.	Not connected
6	RX-	Receive data: negativ
7	N.C.	Not connected
8	N.C.	Not connected

Table 2: LED Description:

LED	Name	Description
LED 1	Linked (red)	Indicates if bussystem is present
LED 2	RX (red)	Indicates receiving of data
LED 3	TX (red)	Indicates transmitting of data

This document may contain information that is confidential and proprietary information of Advanced Energy Industries. The dissemination, distribution or copying of this document is strictly prohibited without the express written consent of Advanced Energy Industries GmbH. All technical information contained is subject to changes without prior notice. For recent updates please contact Customer Service.