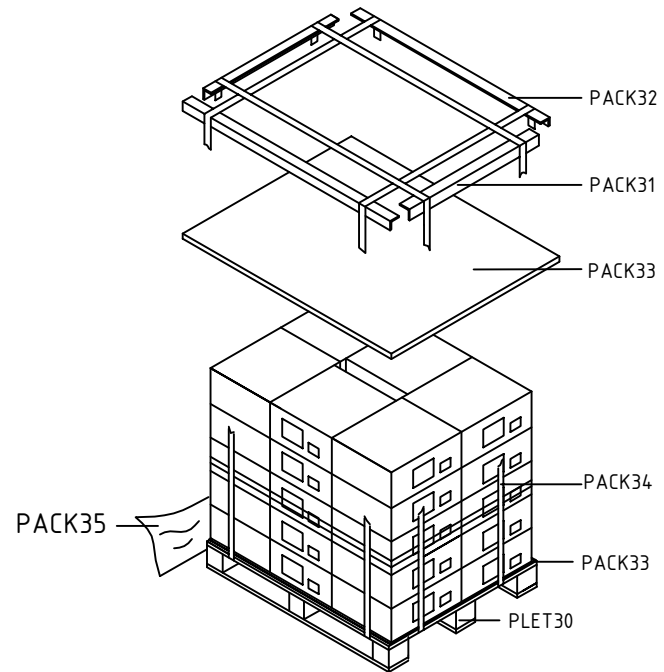


PACK12



- NOTES:
- PARTS MUST BE COMPLETELY ASSEMBLED.
 - PARTS TO BE ORIENTED AS SHOWN.
 - INDIVIDUAL CARTON PACKING DETAILS:
 - 3.1 OUTSIDE DIMENSIONS OF CARTON: 370(L) X 360(W) X 85(H)
 - 3.2 UNIT WEIGHT: APPROX 10.9 G.
 - 3.3 190 UNITS /TRAY 1 TRAY/CARTON
 - 3.3 6 CARTONS/LAYER 5 LAYERS/PALLET
 - 3.3 5700 UNITS / PALLET
 - 3.4 GROSS CARTON WEIGHT: 2.5 KGS.(REF.) GROSS PALLET WEIGHT:75 KGS.(REF.)
 - ALL DIMENSIONS SHOWN ARE FOR REFERENCE ONLY.
 - THE MODEL PLACEMENT DETAIL, SEE DETAIL "UNIT ORIENTATION".
 - LISTED MATERIALS USAGE BASE ON THE PALLET LEVEL
 - FOR PRINTING DETAILS OF LABEL REFER TO AS FOLLOWS FORM.
 - PACKING METHOD:
 - FOR THE FIRST 3 CIRCLES OF THE CARRIER TAPE IS EMPTY.
 - PLACE UNITS IN THE CARRIER TAPE IN THE 4TH CIRCLE.
 - ONLY PLACE 100UNITS FOR TAPE, LEAVE OTHERS EMPTY.



P/N SUFFIX	REVISION	ECO NO.	REVISION DESCRIPTION	DATE	REVISED BY	APPROVED BY
-0000	AB	8168327	REMOVE LABEL 21 & 25	2021-06-08	JIAN LIANG	
-0000	AA		FIRST RELEASE.	2020-11-14	JIAHAO CHEN	XIAOHUI WANG
SHEET REVISION HISTORY						

 Drawn to ISO STANDARDS Tolerancing ISO 8015	General Tolerances Unless Stated Otherwise		Units LENGTH: mm ANGLE: DEG	Scale 1:1
	Material SEE NOTES		Treatment SEE NOTES	
Created by JIAN LIANG	Approved by GREEN HAN		Document type DRAWING	
Dept. CNZ	Technical reference JIAN LIANG		Document status RELEASED	
			Title, Supplementary title LGA110D-01DADJJ PKG ASSY,ASSY BOM,PLL	
Rev. AB		Date of issue 2021-06-08		Lang. Sheet EN 1 of 1